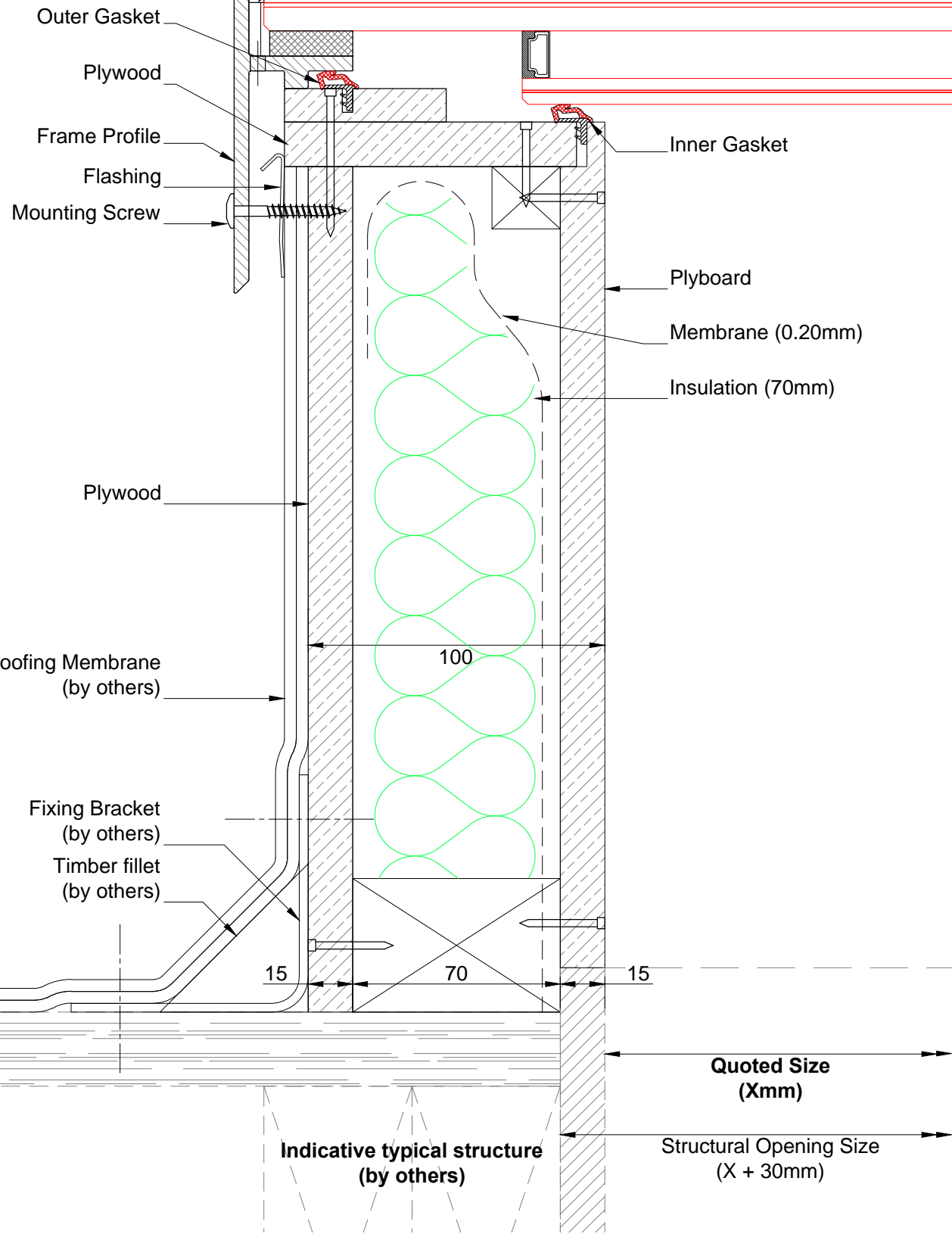
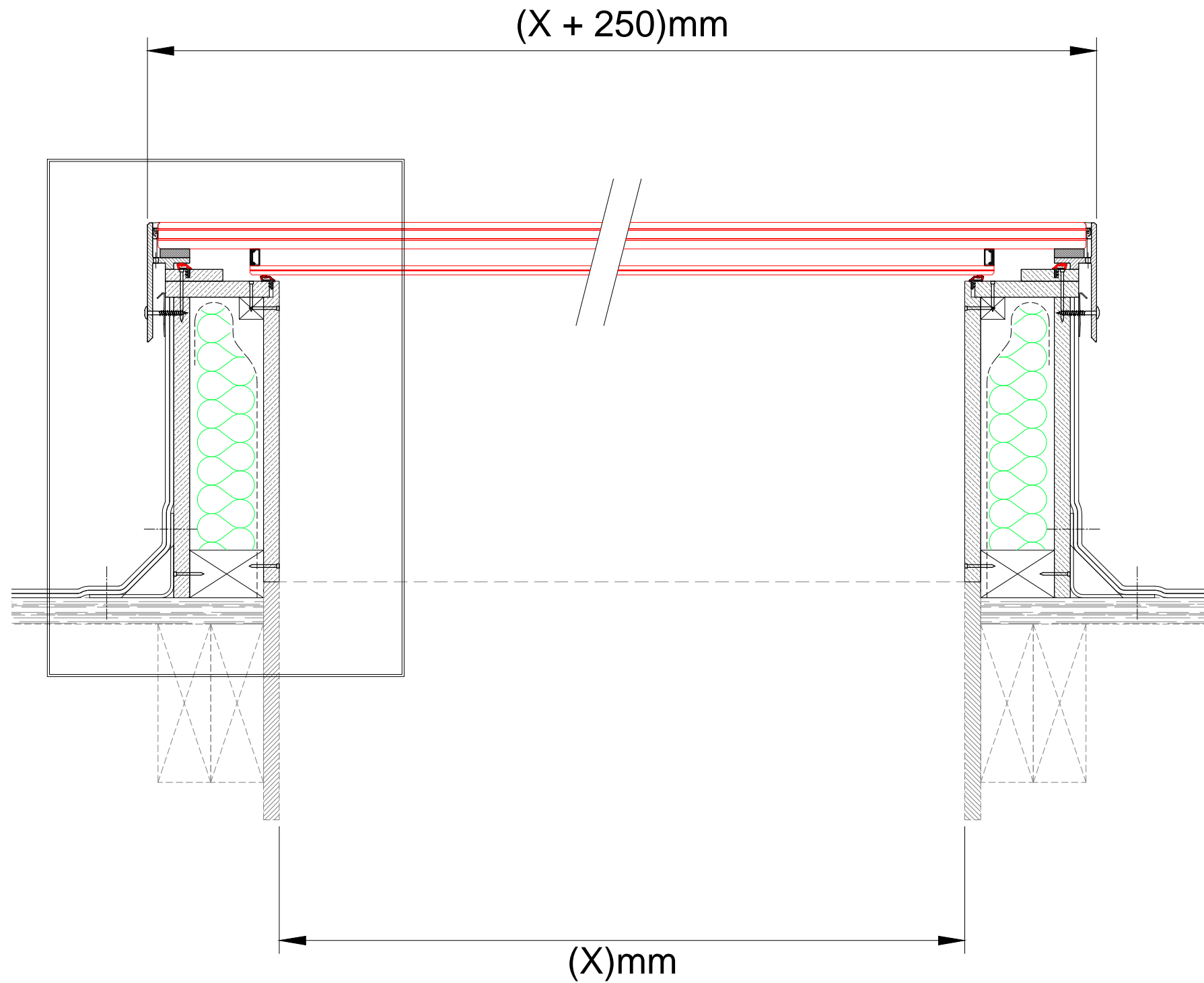


Double Glazed Unit:*
 25mm toughened and heat strengthened laminated
 16mm argon filled cavity with TGI "warm edge" spacer
 8.8mm laminated low 'E' float
 *Please see the box at bottom right for full specification



SCALE 1:2 @ A3



SCALE 1:5 @ A3

*** GLASS SPECIFICATION:**

Outer Pane (25.04mm laminated):
 6mm clear toughened heat strengthened
 1.52mm laminate interlayer
 8mm clear heat strengthened float
 1.52mm laminate interlayer
 8mm clear heat strengthened float

Internal Void (16mm):
 16mm Argon filled cavity

Inner Pane (8.76mm laminated):
 4mm clear float with low 'E' coating
 0.76mm laminate interlayer
 4mm clear float

VELUX Company Ltd.
 Woodside Way
 Glenrothes
 Fife
 Scotland
 KY7 4ND
 Telephone:
 +44 (0) 1592 778 246

VARIO BY **VELUX**

Walk-on (with 300mm upstand)
 (glass suitable for "Standard Size")